

SERIE

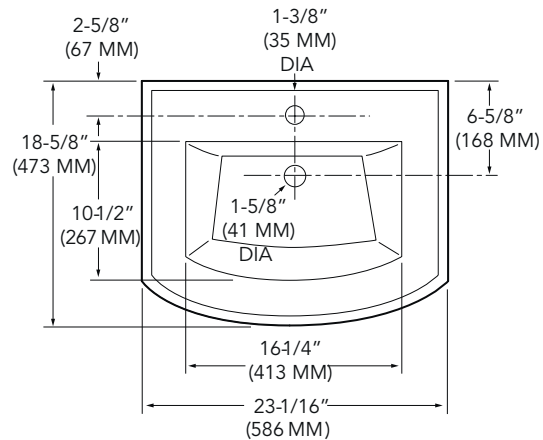
# PROVENCE II

Lavamanos de sobreponer  
Drop-in lavatory

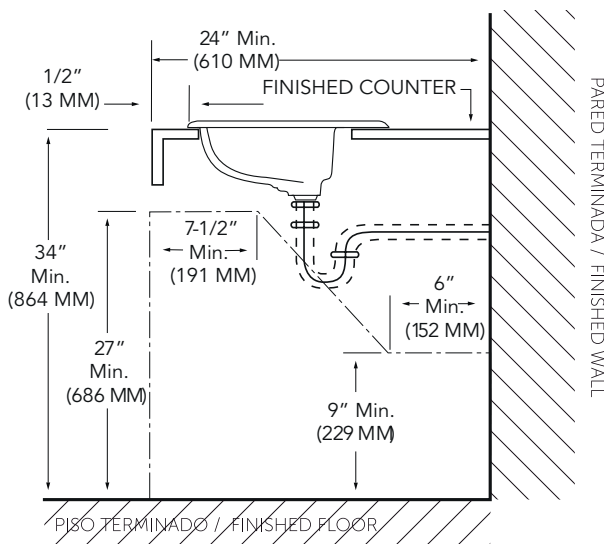
## Plano técnico

Technical Drawing

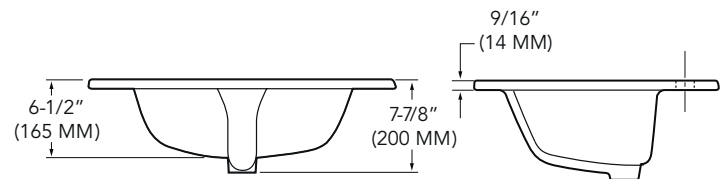
VISTA SUPERIOR / TOP VIEW



VISTA LATERAL / LATERAL VIEW



VISTA FRONTAL / FRONT VIEW



Unidades /Units: mm.

Estas dimensiones son nominales y son sujetas a cambio sin previo aviso.

These dimensions are nominal and are subject to change without prior notice.